



NEPTUNE

SMART AUTOMATIONS

Authorized Distributor of AQUA Water meter
across PAN India

AUTHORISED DISTRIBUTOR COMPANY DETAILS:

Registered office :
B-201, Ujwal serene, Baner road,
Pune - 411045,
Maharashtra

Branch Office:
238B, Acharya Jagdish chandra bose road,
Sreepally, Bhowanipore, Kolkata - 700020
West Bengal

Branch Godown:
40, Stand road, 1st floor, Room No. 1
Kolkata - 700001
West Bengal

Contact : subhajit@neptuneplastic.net, admin@neptuneplastic.net
CALL 9830948486, 7044425951,

DRY TYPE MULTI-JET WATER METER DN 15 to 50

For over 50 years, Automat Group has set the benchmark in manufacturing precision-engineered solutions, offering a seamless blend of innovation, quality, and reliability. From custom-designed parts to advanced sub-assemblies, we have been a trusted partner in ensuring long-term operational excellence across industries.

With decades of engineering excellence, Automat Group continues to deliver trust, precision, and efficiency. As a leader in water management solutions, we now bring our innovation, quality, and reliability to water metering with the introduction of Aqua meter a Dry-Type Multi-Jet Water Meter.

The Aquameter

The Aquameter is designed to measure portable water. It's solid & sturdy construction makes it suitable for various applications. It ensures high sensitivity and accurate registration throughout a wide flow range.

Application

Measuring the total volume of cold portable water passing through the pipeline.



IS 779 : 1994



CM/L No. -8700180214

Highlights

- **AMR Ready**
- Multi-jet, super dry-dial design, engineered for effortless maintenance.
- Magnetic drive provides reliable operation and long-lasting service.
- Sealed register maintains clarity in readings for long-term use.
- Meets IS 779 and ISO4064 Class B standards for horizontal installation.
- High Accuracy:
Lower Zone: $\pm 5\%$ (Q_{\min} up to but excluding Q_t)
Upper Zone: $\pm 2\%$ (Q_t up to and including Q_{\max})
- Water meters available from DN 15 to DN 50

Working condition

Water temperature:

0.1°C~50°C for cold water meter.

Water pressure: $\leq 1.6\text{Mpa}$

Max head-loss: $\leq 0.1\text{Mpa}$

Aqua Meter Part List

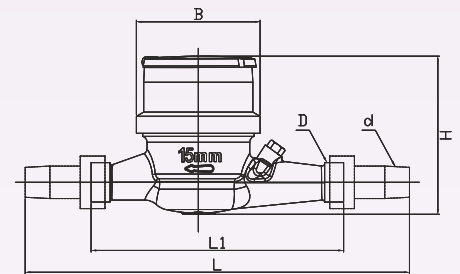


Part No.	Part Description
1	Lid Assembly
2	Copper / plastic can register assembly
3	Anti magnetic ring
4	Tightening ring
5	Sliding ring
6	O-ring
7	Separating plate assembly
8	Impeller assembly
9	Measuring chamber
10	Chamber gasket
11	Body
12	Calibration screw
13	Sealing screw O-ring
14	Sealing screw
15	Inlet strainer
16	Coupling assembly

Dimensions

Type	Size	Length with Nipples	Length w/o Nipples	Width	Height	Connected Thread	Body Thread
		L	L1				
		mm				ISO 7-1	ISO 228-1
AquaMeter	15	250	165	80	100	R 1/2	G3/4B

Dimensions (mm)



*Water meters available in sizes from DN 15 to DN 50

Metrological Data

Type	Size (mm)	Class	Max. Flow	Nominal Flow	Transitional Flow	Minimum Flow	Minimum Reading	Maximum Reading
			Q _{max}	Q _n	Q _t	Q _{min}		
		L/h				Litre	Kilo Litre	
AquaMeter	15	B	3000	1500	120	30	0.05	99999.9999



Authorized Distributor of all types of Water meters across PAN India

WOLTMAN TYPE WATER METER



For over 50 years, Automat Group has set the benchmark in manufacturing precision-engineered solutions, offering a seamless blend of innovation, quality, and reliability. From custom-designed parts to advanced sub-assemblies, we have been a trusted partner in ensuring long-term operational excellence across industries.

With decades of engineering excellence, Automat Group continues to deliver trust, precision, and efficiency. As a leader in water management solutions, we now bring our innovation, quality, and reliability to water metering with the introduction of Aqua meter a Dry-Type Multi-Jet Water Meter.

The Aquameter

It features a helix impeller for precise measurement and supports municipal, industrial, and irrigation applications. Its dry-dial with pulse output and vacuum-sealed register ensure long-term, clear readings.

Application

Ideal for accurate water measurement in municipal supply systems, industrial processes, and irrigation networks.

Highlights

- Helix shape impeller for sensitive measurement.
- Municipal, industrial and irrigation applications
- Dry-dial for easy metering reading equipped for pulse output.
- Vacuum sealed register ensures clear reading in a long-term service.
- Technical data conform to ISO4064 Class B in horizontal position.
- Low head-loss.
- Lockable metal register cover and lid.
- High Accuracy:
Lower Zone: $\pm 5\%$ (Q_{\min} up to but excluding Q_t)
Upper Zone: $\pm 2\%$ (Q_t up to and including Q_{\max})

Working condition

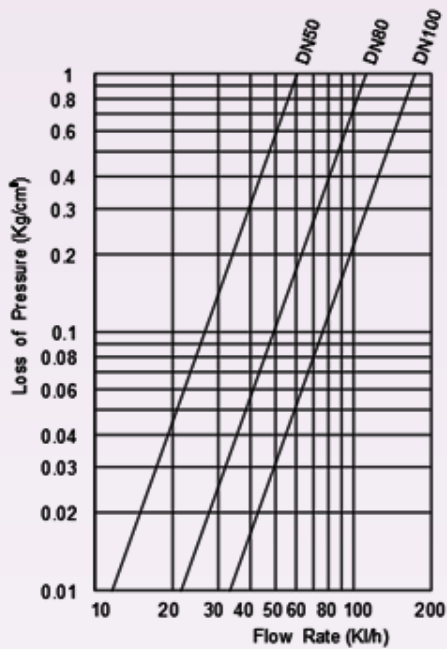
Water temperature:

0.1°C ~ 50°C for cold water meter.

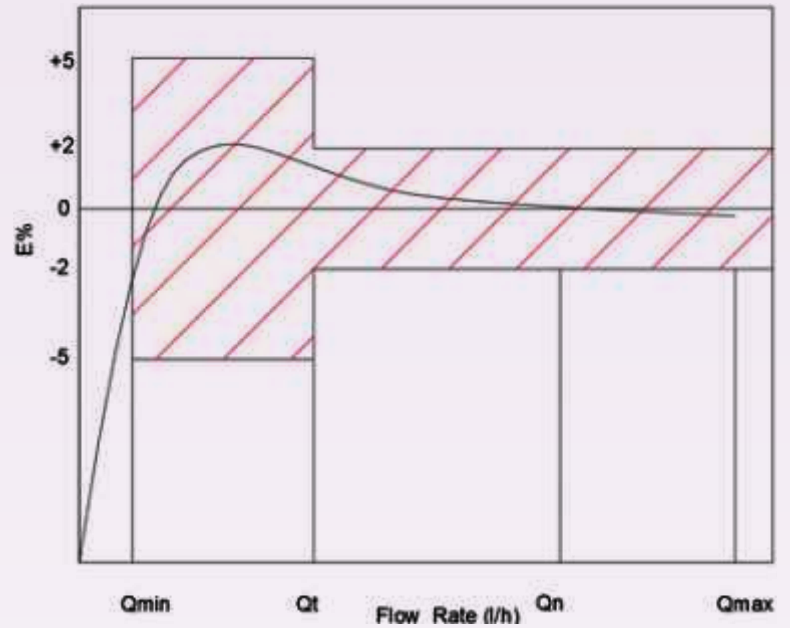
Water pressure: $\leq 1.6\text{Mpa}$

Max head-loss: $\leq 0.1\text{Mpa}$

Head-Loss curve

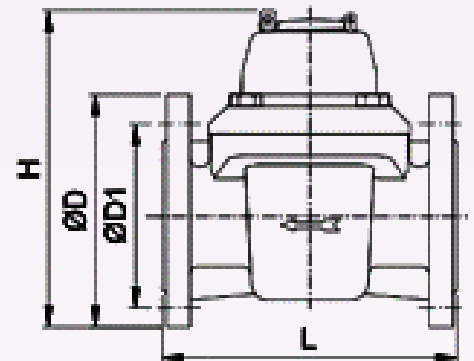


Typical Accuracy Curve



Dimensions

Size	DN	50	80	100
Length	L	200	225	250
Height	H	261	279	289
Flange diameter	D	165	200	220
Bolt Circle diameter	D1	125	160	180
Bolts	nXM	4XM16	8XM16	8XM16



Flow Rates [M³/h]

Size [mm]	50	80	100
qmax.	30	80	120
qn	15	40	60
qt	3	8	12
qmin.	0.45	1.2	4.8

AGRICULTURAL IRRIGATION WATER METER



For over 50 years, Automat Group has set the benchmark in manufacturing precision-engineered solutions, offering a seamless blend of innovation, quality, and reliability. From custom-designed parts to advanced sub-assemblies, we have been a trusted partner in ensuring long-term operational excellence across industries.

With decades of engineering excellence, Automat Group continues to deliver trust, precision, and efficiency. As a leader in water management solutions, we now bring our innovation, quality, and reliability to water metering with the introduction of Aqua meter a Dry-Type Multi-Jet Water Meter.

The Aquameter

It features a tangential impeller mounted to resist weeds and solid debris, making it ideal for irrigation and wastewater applications. Its dry-dial with pulse output and vacuum-sealed register ensure clear and long-term readings.

Application

Perfect for precise water measurement in agricultural irrigation and wastewater systems.

Highlights

- Paddle Wheel mounted at the top of the flow cross section not sensitive to weeds and solid debris.
- Dry-dial for easy metering reading equipped for pulse output.
- Vacuum sealed register ensures clear reading in a long-term service.
- Technical data conform to ISO4064 Class-A in horizontal position.
- Very low head-loss.
- Lockable metal register cover and lid.
- High Accuracy:
Lower Zone: $\pm 5\%$ (Q_{\min} up to but excluding Q_t)
Upper Zone: $\pm 2\%$ (Q_t up to and including Q_{\max})

Working condition

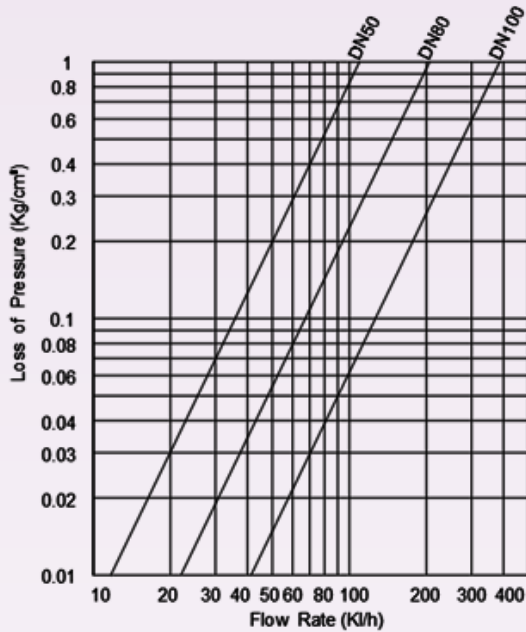
Water temperature:

0.1°C ~ 50°C for cold water meter.

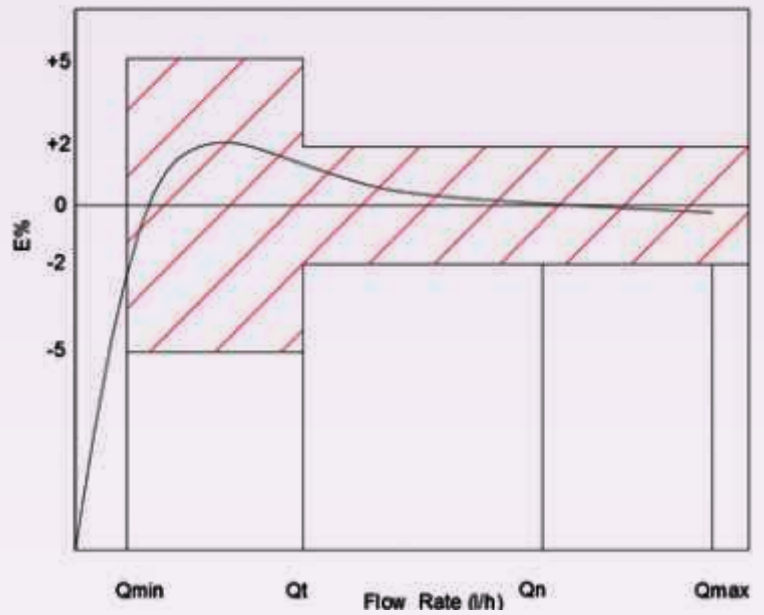
Water pressure: $\leq 1.6\text{Mpa}$

Max head-loss: $\leq 0.1\text{Mpa}$

Head-Loss curve

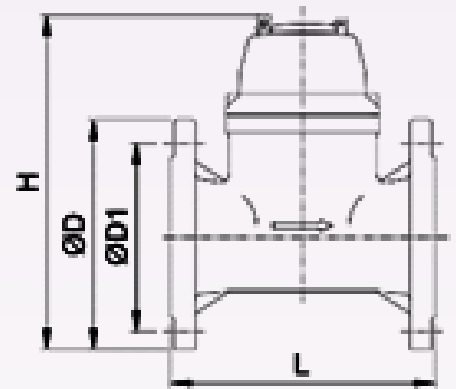


Typical Accuracy Curve



Dimensions

Size	DN	50	80	100
Length	L	200	225	250
Height	H	253	284	295
Flange diameter	D	165	200	220
Bolt Circle diameter	D1	125	160	180
Bolts	nXM	4XM16	8XM16	8XM16



Flow Rates [M³/h]

Size [mm]	50	80	100
qmax.	30	80	120
qn	15	40	60
qt	4.5	12	18
qmin.	1.2	3.2	4.8